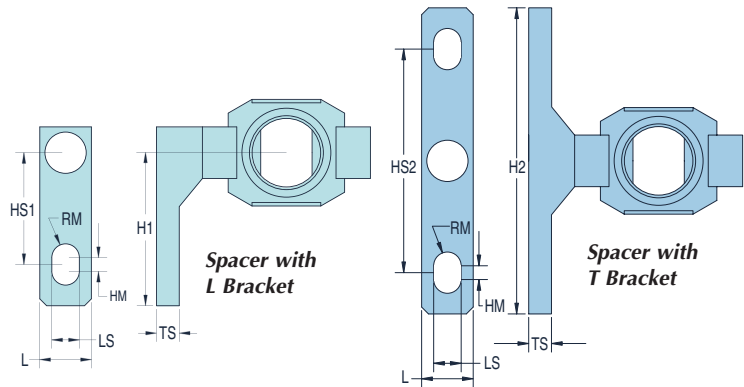
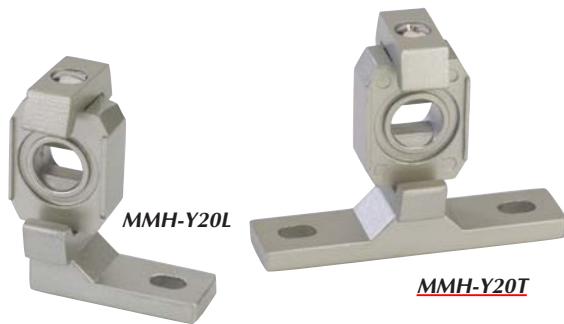




# MAXIMATIC® MOUNTING HARDWARE



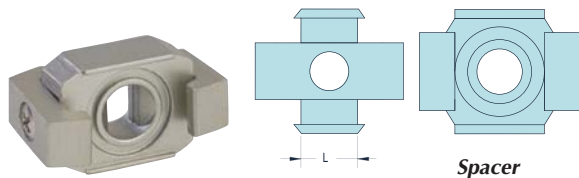
## Mounting Hardware for Combination Units

To convert individual Filter, Regulator and Lubricators into combination units. Seals included.

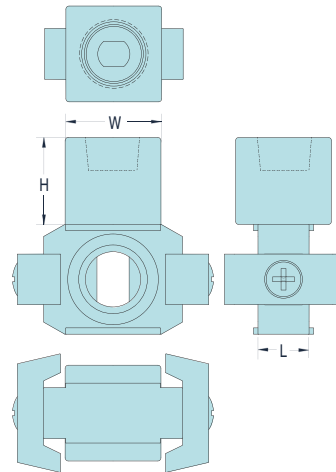
FRL Series	Spacer with L Bracket	Spacer with T Bracket	Dimensions						
			MMH-Y10L	MMH-Y20L	MMH-Y30L	MMH-Y40L	MMH-Y50L	MMH-Y60L	
FRL-1	MMH-Y10L	MMH-Y10T	H1	1.06 (27.0)	1.30 (33.0)	1.77 (45.0)	1.97 (50.0)	1.97 (50.0)	2.48 (63.0)
FRL-2	MMH-Y20L	MMH-Y20T	H2	2.13 (54.0)	2.60 (66.0)	3.54 (90.0)	3.94 (100.0)	3.94 (100.0)	4.96 (126.0)
FRL-3	MMH-Y30L	MMH-Y30T	L	0.47 (12.0)	0.59 (15.0)	0.63 (16.0)	0.87 (22.0)	0.87 (22.0)	0.91 (23.0)
FRL-4W/4Z	MMH-Y40L	MMH-Y40T	LS	0.18 (4.5)	0.22 (5.5)	0.28 (7.0)	0.35 (9.0)	0.35 (9.0)	0.47 (12.0)
FRL-4A	MMH-Y50L	MMH-Y50T	HM	0.12 (3.0)	0.12 (3.0)	0.16 (4.0)	0.16 (4.0)	0.16 (4.0)	0.16 (4.0)
FRL-5	MMH-Y60L	MMH-Y60T	TS	0.20 (5.0)	0.20 (5.0)	0.28 (7.0)	0.28 (7.0)	0.28 (7.0)	0.41 (10.5)
			RM	0.09 (2.3)	0.11 (2.8)	0.14 (3.5)	0.18 (4.5)	0.18 (4.5)	0.24 (6.0)
			HS1	0.79 (20.0)	0.94 (24.0)	1.38 (35.0)	1.57 (40.0)	1.57 (40.0)	1.97 (50.0)
			HS2	1.57 (40.0)	1.89 (48.0)	2.76 (70.0)	3.15 (80.0)	3.15 (80.0)	3.94 (100.0)

## Spacers

To convert individual Filter, Regulator and Lubricators into combination units without mounting brackets. Seals included.



Series	Part No.	"L" Dimension
FRL-1	MMH-Y10	0.32 (8.1)
FRL-2	MMH-Y20	0.41 (10.4)
FRL-3	MMH-Y30	0.44 (11.2)
FRL-4W/4Z	MMH-Y40	0.55 (14.0)
FRL-4A	MMH-Y50	0.57 (14.5)
FRL-5	MMH-Y60	0.61 (15.5)



**MAXIMUM**  
• Value.  
• Performance.

## Spacers with Auxiliary Port

Provides parallel port between components.



MMH-Y21-N01

FRL Series	Spacer with			L	Dimension	
	Spacer with Port	L Bracket & Port	T Bracket & Port		H	W
FRL-2	MMH-Y21-N01 (1/8")	MMH-Y21L-N01 (1/8")	MMH-Y21T-N01 (1/8")	0.41 (10.4)	0.69 (17.5)	0.76 (19.3)
	MMH-Y21-N02 (1/4")	MMH-Y21L-N02 (1/4")	MMH-Y21T-N02 (1/4")	0.41 (10.4)	0.69 (17.5)	0.76 (19.3)
FRL-3	MMH-Y31-N01 (1/8")	MMH-Y31L-N01 (1/8")	MMH-Y31T-N01 (1/8")	0.44 (11.2)	0.64 (16.3)	0.75 (19.1)
	MMH-Y31-N02 (1/4")	MMH-Y31L-N02 (1/4")	MMH-Y31T-N02 (1/4")	0.44 (11.2)	0.64 (16.3)	0.75 (19.1)
FRL-4W/4Z	MMH-Y41-N02 (1/4")	MMH-Y41L-N02 (1/4")	MMH-Y41T-N02 (1/4")	0.55 (14.0)	0.71 (18.0)	0.94 (23.9)
	MMH-Y41-N03 (3/8")	MMH-Y41L-N03 (3/8")	MMH-Y41T-N03 (3/8")	0.55 (14.0)	0.71 (18.0)	0.94 (23.9)
FRL-5	MMH-Y61-N03 (3/8")	MMH-Y61L-N03 (3/8")	MMH-Y61T-N03 (3/8")	0.61 (15.5)	0.79 (20.1)	1.18 (30.0)
	MMH-Y61-N04 (1/2")	MMH-Y61L-N04 (1/2")	MMH-Y61T-N04 (1/2")	0.61 (15.5)	0.79 (20.1)	1.18 (30.0)